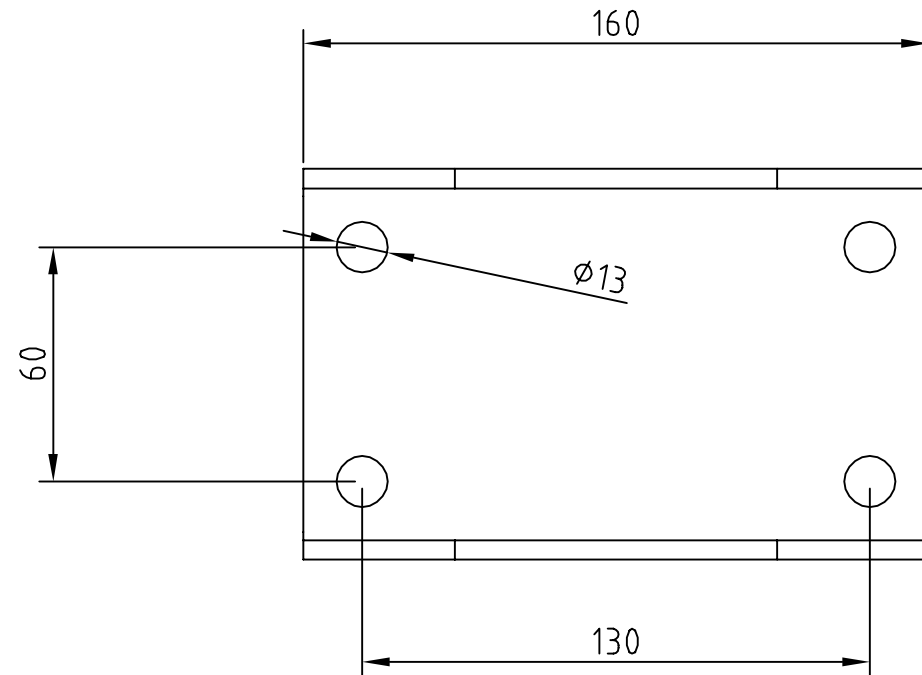
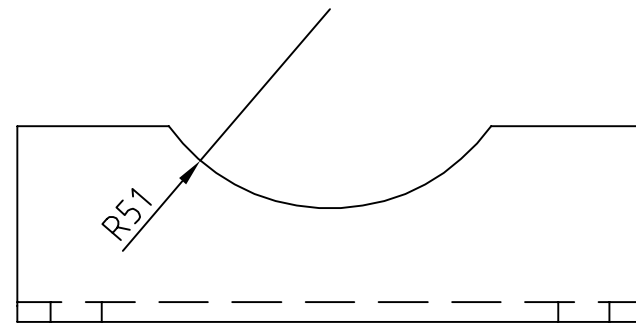
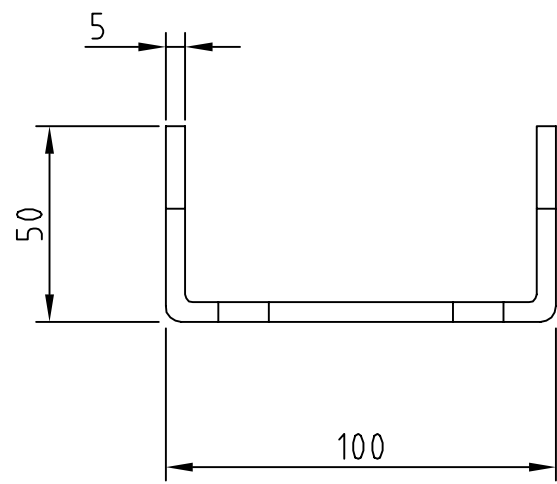

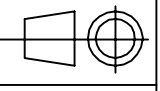


11191



Design		at	Scale 1:2	Associated with	Description 1 U100-160
Drawn		at		Tolerance class middle	Description 2 Kiinnityspala
Check					Description 3 100mm putkelle
Approv.					Material 1 Fe37 Hzn
Plot Date			 <b>Aerial Oy</b> Tel.+358-9-2790 120 Fax.+358-9-2910 210 Box 22 04401 Järvenpää Finland <a href="http://www.aerial.fi">http://www.aerial.fi</a> <a href="mailto:aerial@aerial.fi">aerial@aerial.fi</a>	Outline size	
Mass 1.1kg					
DWG					

© Aerial Oy. All rights reserved. No part of this document may be reproduced without the written permission of Aerial Oy.